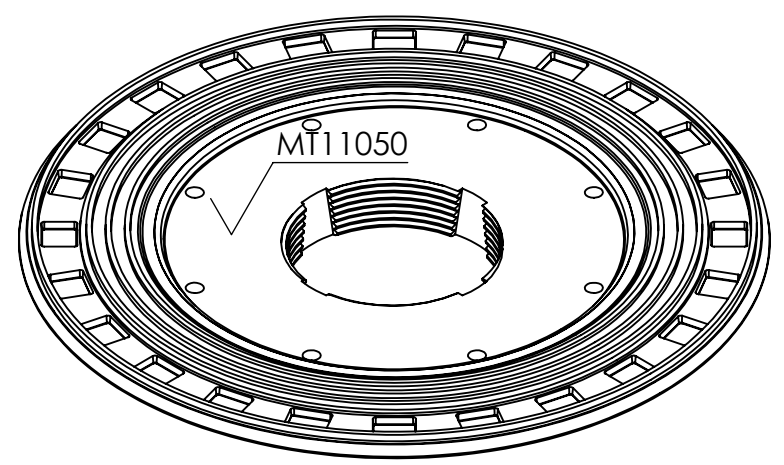
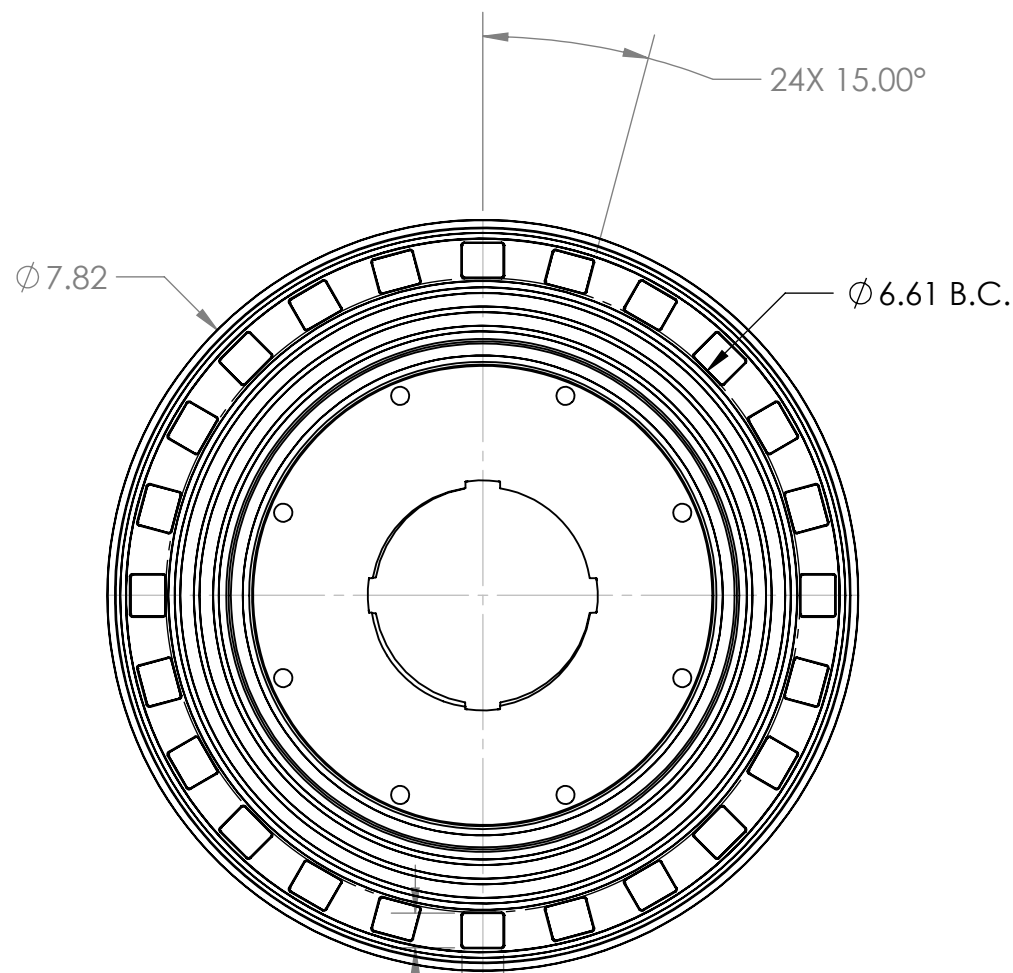
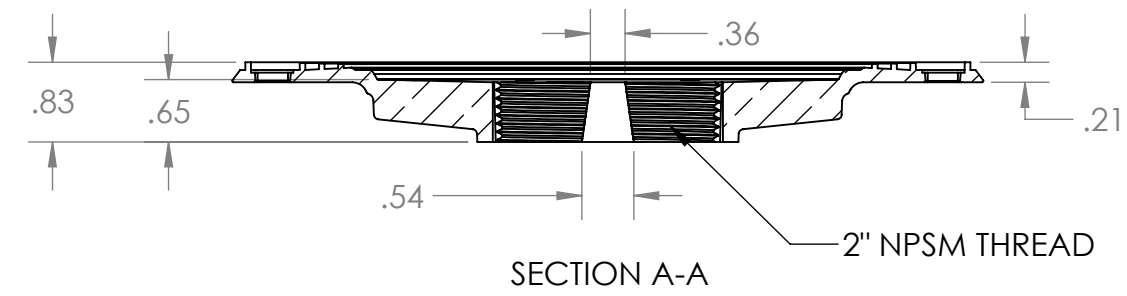
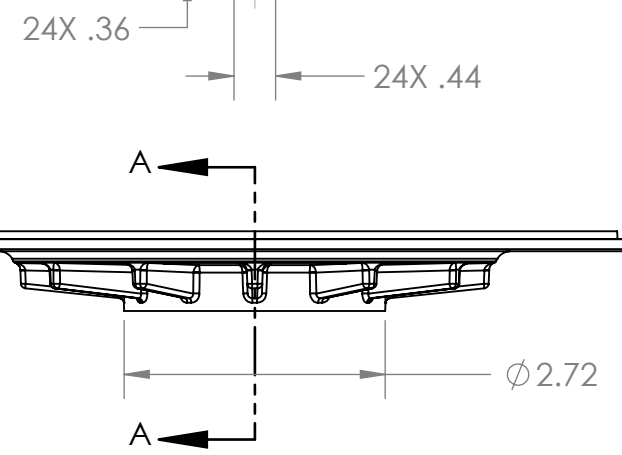


01	RELEASED TO PRODUCTION			
REVISION	NOTES	CHANGED BY	CHECKED BY	RELEASED DATE



PART NUMBER	DESCRIPTION	MATERIAL
9247 - BFD Adj Ring-PVC	ADJUSTING RING	GRAY ASTM D2665 GRADE PVC
9247 - BFD Adj Ring-ABS	ADJUSTING RING	ABS BLACK ASTMD2661 GRADE ABS



- NOTES:
1. MATERIAL CERTIFICATION AND C OF C REQUIRED ON ALL LOT RUNS, INCLUDING BASE MATERIAL, PIGMENTATION
 2. PART TO BE FREE OF PARTICULATE MATTER, PARENT OR FOREIGN, VISIBLE AND EMBEDDED.
 3. DRAWING IS FOR INSPECTION PURPOSE ONLY. ALL UNDIMENSIONED FEATURES TO BE HELD $\pm .010$ WITH RESPECT TO 3D CAD MODEL.
 4. ALL K.O. PIN LOCATIONS, GATES AND PARTING LINES TO BE APPROVED BY LATICRETE INTERNATIONAL.
 5. ALL CORNERS SHOWN SHARP TO BE R 0.010 MAX.
 6. ALL FLASH TO BE HELD TO .010 MAX. GATE VESTIGE TO BE .010 MAX.
 7. PARTING LINE MISMATCH .005 MAX.
 8. SPID - 2 or better unless noted

PROPRIETARY AND CONFIDENTIAL

THE INFORMATION CONTAINED IN THIS DRAWING IS THE SOLE PROPERTY OF LATICRETE INTERNATIONAL INC. ANY REPRODUCTION IN PART OR AS A WHOLE WITHOUT THE WRITTEN PERMISSION OF LATICRETE INTERNATIONAL INC. IS PROHIBITED.

LATICRETE INTERNATIONAL INC.
91 AMITY ROAD
BETHANY CT 06524

UNLESS OTHERWISE SPECIFIED:	NAME	DATE
DIMENSIONS ARE IN INCHES	DRAWN	VC
TOLERANCES:	CHECKED	3/29/21
ANGULAR: MACH ± 2 BEND ± 5	ENG APPR.	
TWO PLACE DECIMAL $\pm .010$	MFG APPR.	
THREE PLACE DECIMAL $\pm .005$	Q.A.	
INTERPRET GEOMETRIC TOLERANCING PER: ASME Y14.5 - 2009	COMMENTS:	
MATERIAL		
FINISH		
DO NOT SCALE DRAWING		

LATICRETE		
TITLE: ADJUSTING RING		
SIZE	DWG. NO.	REV
B	9247 - BF Adj Ring	
SCALE: 1:2	WEIGHT:	SHEET 1 OF 1